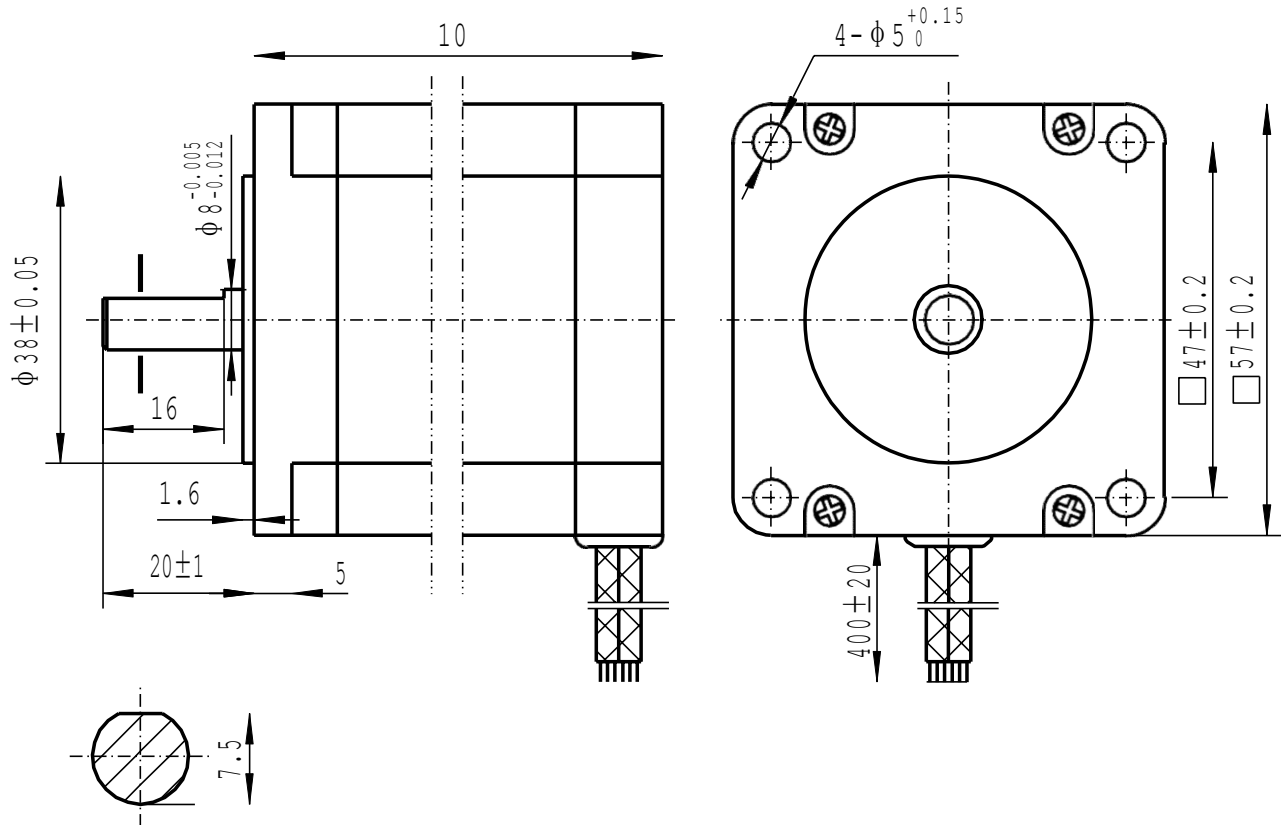


Exim Stepmotor 2,2Nm BYG250D



BYG250D

General specifications		Electrical specifications		Wiring diagram
Step Angle	1.8° ±5%	Rated Voltage	24V	
Number of phase	2	Rated Current	2A	
Insulation Resistance	100MΩ min (500VDC)	Resistance Per Phase	1.15±10%Ω	
Insulation Class	Class B	Inductance Per Phase	3.1±20% mH	
Weight	1.65Kg	Holding torque	2.2N.m	
57BYG250D Induction sub – stepper motor specification				



Exim CNC & Automatisierungstechnik GmbH  
 Erzberg 15  
 D-91637 Wörnitz  
 Telefon: 098694759913  
 Fax: 098694759940  
 Email: [info@eximcnc.de](mailto:info@eximcnc.de)  
 Web: [www.eximcnc.de](http://www.eximcnc.de)  
 Shop: [www.eximautomation.de](http://www.eximautomation.de)